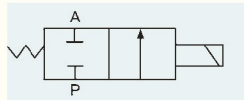
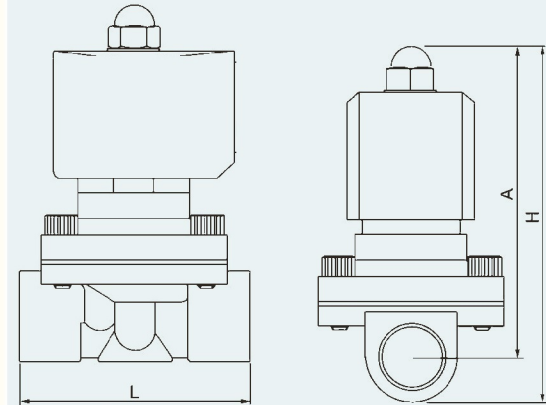




## AF SERIES SOLENOID VALVES WITH BRASS STEEL BODY



### Overall Dimension



### Technical Specification

Item	Parameter
Operating Medium	Air, Water, Oil, Gas, Weak Acid & Alkali
Operation	Direct Acting
Acting Type	Diaphragm Type
Pressure Range	0~1.0MPa
Operating Pressure	1.0Mpa
Medium Temperature	-5~ 100℃ for NBR
Ambient Temperature	-5~60℃
Installation	As Required
Voltage	AC380V, 220V, 110V, 36V, 24V DC220V, 110V, 36V, 24V, 12V

Plastic capsulation coils and common coils available on request.

### Specification

Model	Port Size	Orifice (mm)	Cv Value	Pressure Range (MPa)	Power VA	Overall Size		
						L	H	A
AF160-R15	G1/2"	16	408	0~1.0	14	66	100	93
AF200-R20	G3/4"	20	706	0~1.0	14	73	102	100
AF250-R25	G1"	25	12	0~1.0	14	100	106	104
AF350-R35	G1 1/4"	35	24	0~1.0	50	120	158	141
AF400-R40	G1 1/2"	40	28	0~1.0	50	120	158	141
AF500-R50	G2"	50	48	0~1.0	50	157	168	157

\* AF Series Port Size G2.1/2" L=160 / G3" L=182 / G4" L=235